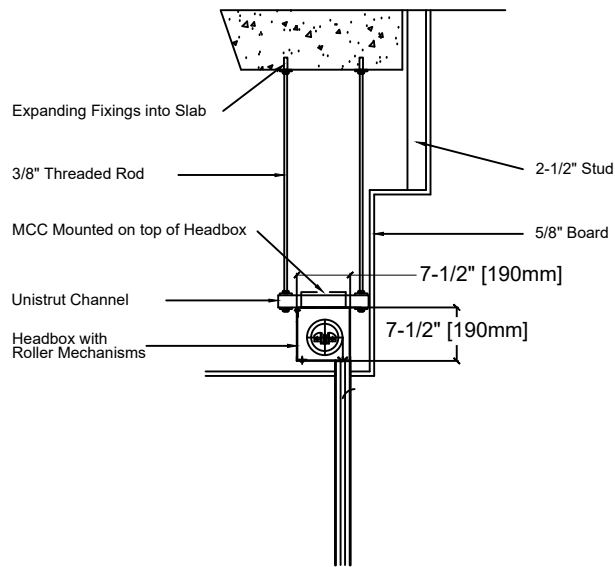
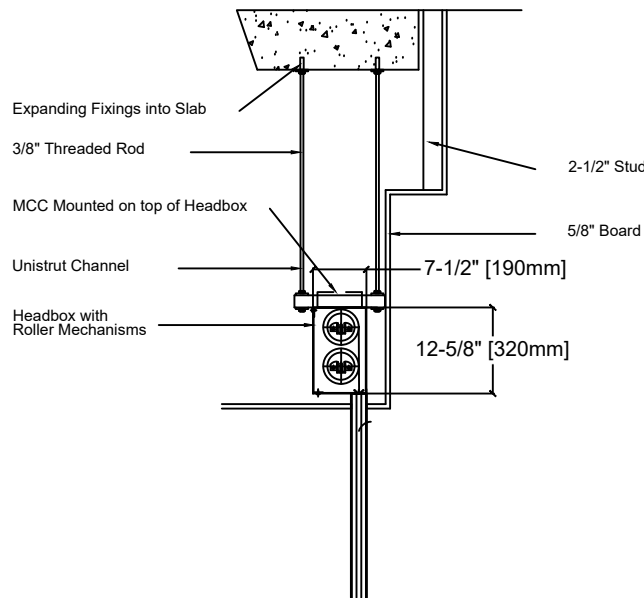


HEADBOX SHADOW GAP CONFIGURATION

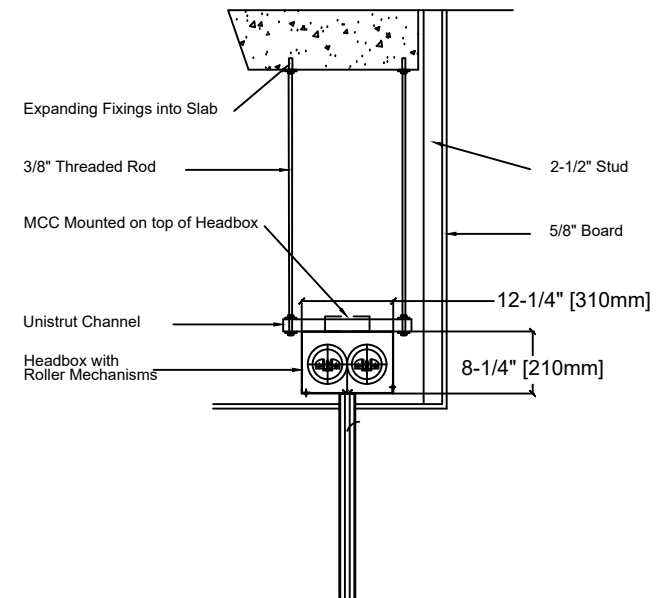
**SINGLE ROLLER
LESS THAN 14' IN WIDTH**



**MULTIPLE (OVER/UNDER) ROLLER
MORE THAN 14' IN WIDTH**



**MULTIPLE (SIDE BY SIDE) ROLLER
MORE THAN 14' IN WIDTH**



ALL HEADBOX SIZES SHOWN ARE FOR CURTAIN DROPS LESS THAN 9' 10". PLEASE SEE HEADBOX SIZING CHART FOR CURTAIN DROPS MORE THAN 9'10".