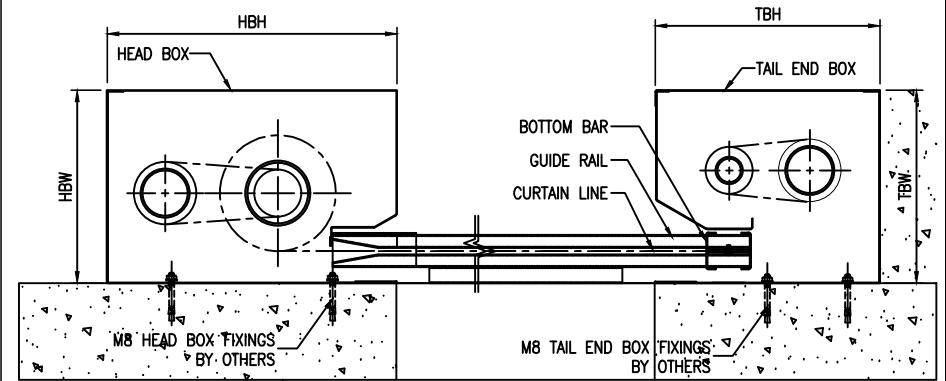
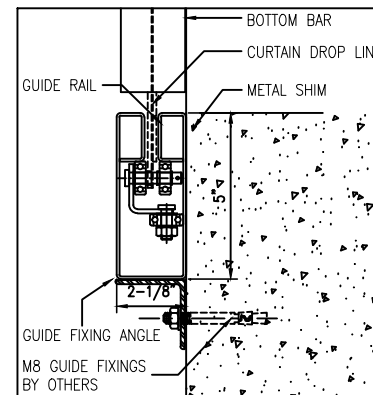


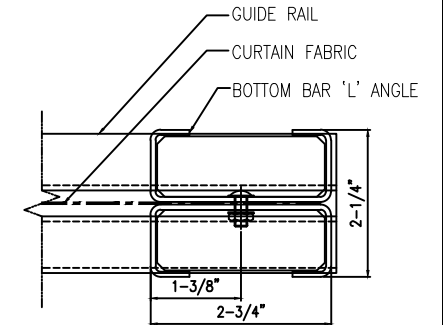
CURTAIN PLAN



ENLARGED VIEW - A



ENLARGED VIEW - B



ENLARGED DETAIL - BOTTOM BAR

FIRE CURTAIN SPECIFICATION:

CURTAIN FABRIC	MANUFACTURED FROM STAINLESS STEEL, WIRE REINFORCED, WOVEN GLASS FIBRE, FABRIC COATED ON EACH SIDE WITH SILICONE ELASTOMER COATING, HS690-SS
GUIDE RAIL	2mm THK GALVANIZED STEEL GUIDE RAIL
BOTTOM BAR	2mm THK GALVANIZED STEEL BOTTOM BAR
CURTAIN BOX	1.2mm THK GALVANIZED STEEL
END PLATE	3mm THK GALVANIZED STEEL END PLATES AND BRACKETS
MOTOR	INTERNAL, ELECTRIC, TUBULER GEARED CONSTANT SPEED MOTOR
POWER SUPPLY	SINGLE PHASE, 120V, 13A, 50Hz

SCALE: NTS

DRAWN:08/2023

HOSE STREAM
HORIZONTAL
CURTAIN



www.doorsysinc.com

DSI-HHS10B HOSE STREAM RATED HORIZONTAL FIRE CURTAIN - FLOOR MOUNT DETAILS