

DOOR SYSTEMS

“The SMOKE & FIRE CONTAINMENT People”

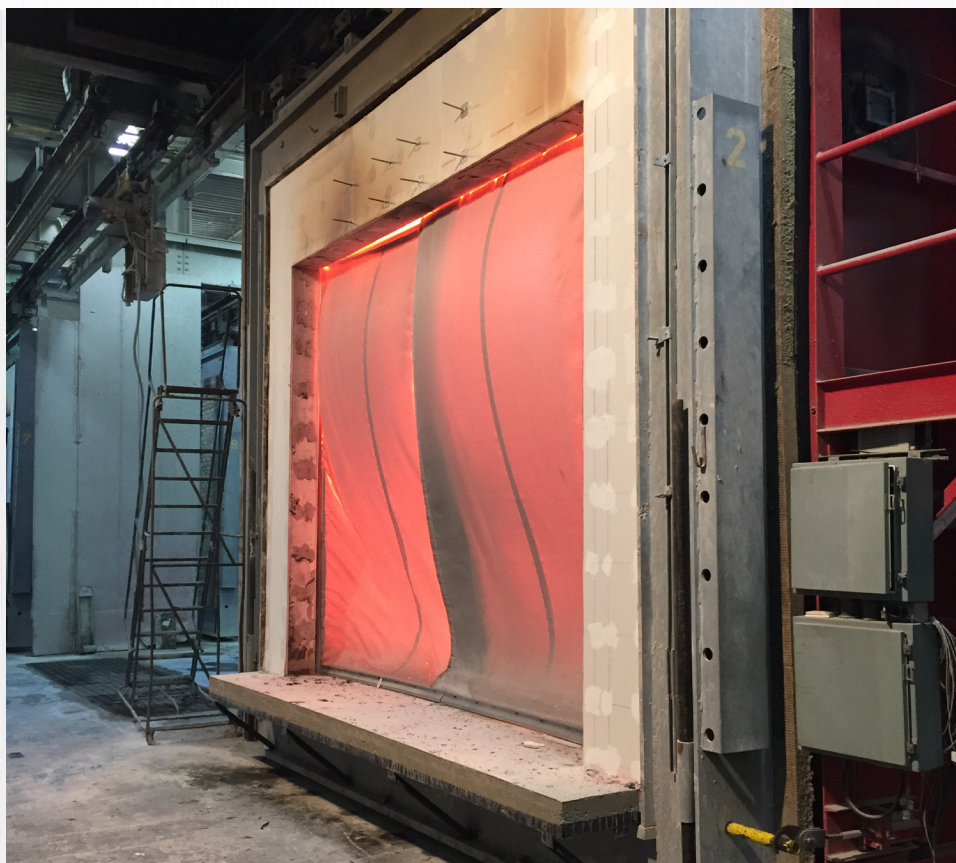


The **DSI-600**[®] | *Elevator Smoke Containment System*[®]

A **cost effective** and **architecturally pleasing** solution for your **elevator shaft** and **lobby fire protection**.

Code Compliance / Performance / Advantages

- ICC Evaluation Test Report ESR#
- UL 10D listed One Hour, Two Hour, or Three Hour Fire Protective Curtain System
- UL 1784 Listed Smoke Migration S Label
- UL 864 Listed Release Device
- California State Fire Marshall Listed
- OSHPD Approved
- LAFD Approval for High Rise Applications
- Custom Sizes available to fit any size elevator
- One Curtain can Cover Entire Elevator Bank
- Compact Design
7 1/2" x 7 1/2" headbox
- Creates Open Space for your Building Design
- Various Finishing Options Available
- Battery back-up System Standard



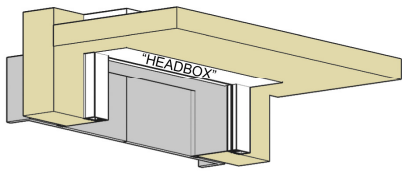
■ THE SYSTEM

The *DSI-600* elevator smoke curtain creates a code compliant smoke and draft control assembly when paired with fire rated elevator doors. The GRAVITY FAIL SAFE deployable smoke AND fire protective curtain system is composed of a glass fiber fabric rolled on a round steel tube in a fire rated assembly. The curtain remains retracted above the finish ceiling by a low voltage system until activated by the fire alarm system at which point it descends at 6 in/sec and creates a smoke and fire barrier.

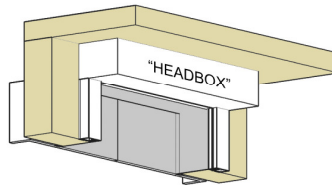
Visit our showroom or request a presentation.

The **DSI-600**[®]
Elevator Smoke Containment System[®]

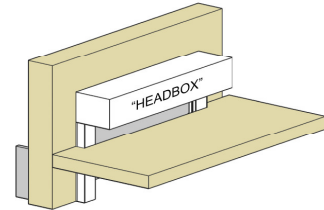
HEADBOX MOUNTING AND FINISHING OPTIONS



Option #1 Flush to Ceiling

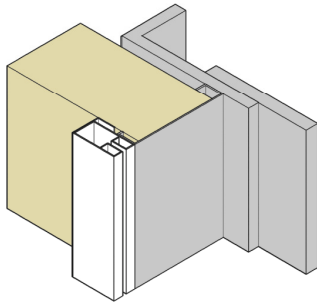


Option #2 Exposed Mount

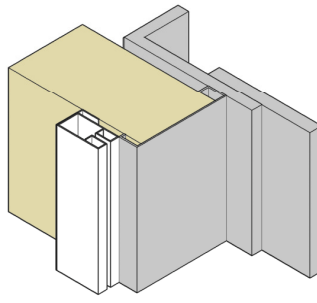


Option #3 Shadow Gap

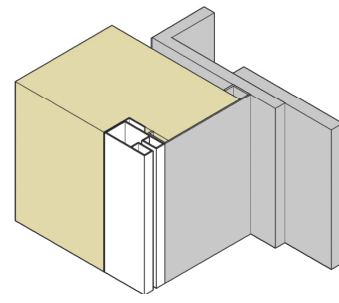
SIDE GUIDE MOUNTING AND FINISHING OPTIONS



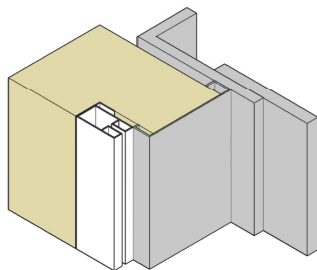
Option #1 Exposed Flush



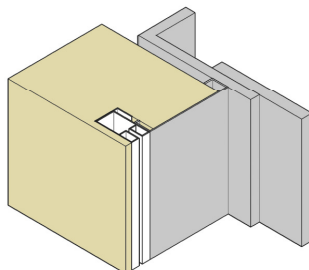
Option #2 Exposed Setback



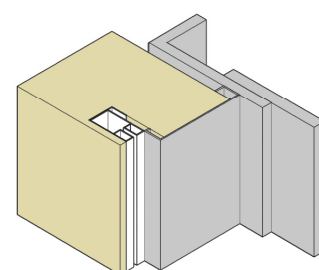
Option #3 Butt to Wall Flush



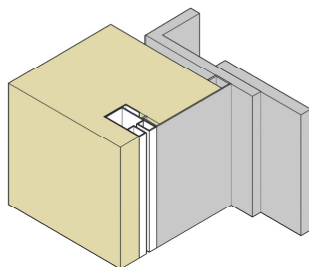
Option #3a Butt to Wall Setback



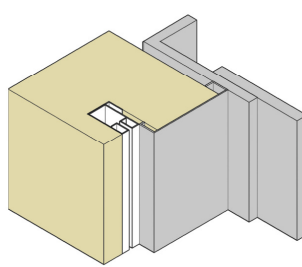
Option #4 Inset in Drywall Flush



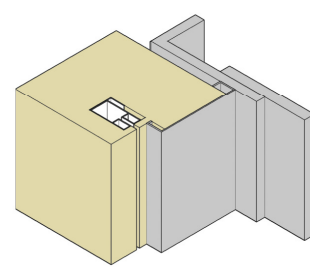
Option #4a Inset in Drywall Setback



Option #4b Inset in Wall Flush



Option #4c Inset in Wall Setback



Option #5 Shadow Gap



Other applications include:

- Protected Means of Escape
- Elevator Doors
- Elevator Lobbies
- Escalators and Stairs
- Fire Door Replacement
- Fire Escape Protection
- Atrium Chimney
- Fire Compartmentation
- Smoke Compartmentation
- Smoke Channeling/Extraction
- Replaces Fire Rated Glass
- Counter Fire Shutter
- Accordion Fire Curtains

"I have the DSI-600 System installed in one of my buildings here in downtown Los Angeles but in the future I would like to install it in others. The system is very concealing and it works. The Door Systems staff does a great job and are very attentive. I would recommend Door Systems, Inc. and the DSI-600 Elevator Smoke Containment System to any landlord or operations manager in need of a smoke and fire containment system."

Philip Hernandez, Operations Manager
at The Swig Company



"The SMOKE & FIRE CONTAINMENT People"