

# MODEL DSI-HSM10B

## Manual Hose Stream Rated Smoke and Fire Curtain


With a UL 10B fire rating up to 180-minutes, the DSI-HSM10B Fire Curtain can be used in firewalls and fire barrier walls as a replacement solution to traditional Coiling Steel Fire Shutters.

The DSI-HSM10B Manual Hose Stream Rated Smoke and Fire Curtain is an opening protective for windows and other vulnerable openings that benefit from automatic-closing fire curtains deployed by a fusible link.

The assembly is comprised of a proprietary multi-layered fire-rated fiberglass/stainless steel fabric wound around a roller. The roller is encased in a compact head box typically installed above the ceiling with side guides that can be concealed in the wall, making the system virtually invisible until activated.

### Compliant with...

Code	Description
UL 10B	With Hose Stream Test – 90 or 180 minutes
UL 1784	Air Leakage Test of Door Assemblies
ASTM E84	Test Method for Surface Burning Characteristics



**GUARANTEED QUALITY**  
Door Systems guarantee high quality products, tested to both UL and BS standards.

### ADVANTAGES VS. STEEL FIRE SHUTTERS

- No power needed, Fusible Link Activated
- Cost effective
- 75% lighter than coiling steel fire shutters
- Compact Headbox: as little as 9"
- Minimal side room required: 2" for any size
- Gravity Failsafe System & Easy Reset
- No exposed mechanisms, gears, chains, or motor parts
- Tested and Labeled to:  
UL 10B 90 or 180 minutes with hose stream
- UL 1784 "S" label
- ASTM E84

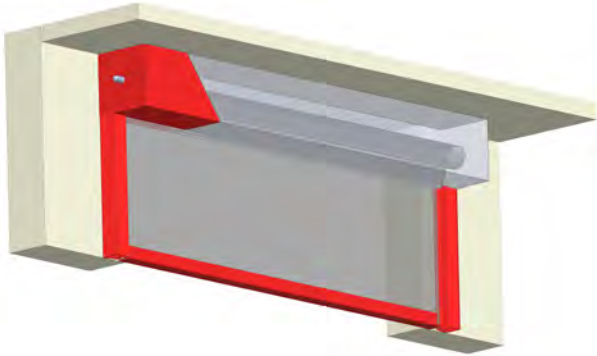


The SMOKE & FIRE CONTAINMENT People

# MODEL DSI-HSM10B

*Manual Hose Stream Rated Smoke and Fire Curtain*

## HEADBOX FINISHING OPTIONS

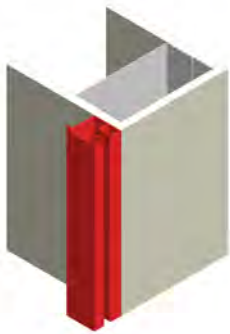


Exposed Mount

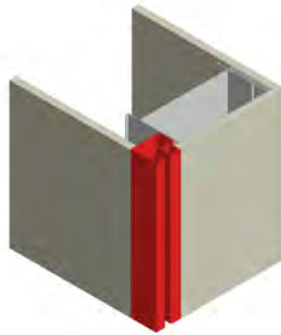


Shadow Gap

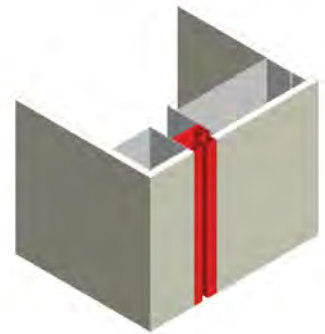
## SIDE GUIDE MOUNTING OPTIONS



Exposed Flush



Butt to Wall Flush



Inset in Wall Flush

